

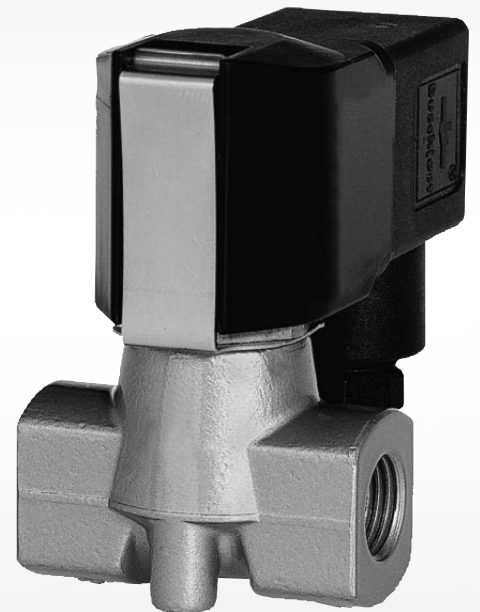
Construction

The GEMÜ 8259 2/2-way direct acting solenoid valve has a brass or stainless steel valve body. All medium wetted parts are made of FPM (standard on stainless steel version), NBR (standard on brass version), PTFE, EPDM, brass or stainless steel.

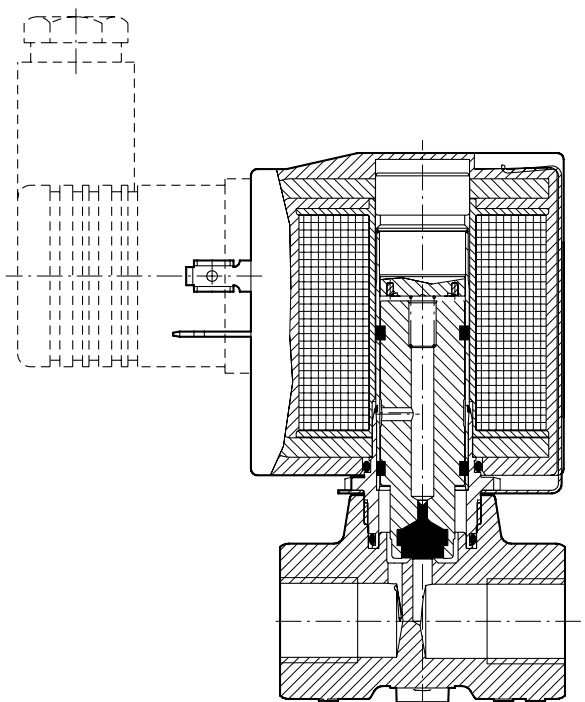
The electrical connection is made via a plug to DIN EN 175301-803 form A. The coil has isolation class F as standard. The valve is suitable for inert liquids and gases.

Advantages

- Direct acting, normally open or normally closed
- Valve operates without minimum pressure differential (Δp)
- Excellent flow capability
- Compact design
- Simple coil replacement without tools (**Click-on®**)
- Suitable for vacuum applications
- Explosion protected solenoids acc. to ATEX available as an option
- UL and CSA approvals available
- Various threaded connections per nominal size
- M5 mounting thread



Sectional drawing GEMÜ 8259 (DN 3 - 5)



Technical data

Working medium

Inert gaseous or liquid media which have no negative impact on the physical and chemical properties of the body and seal material.

Max. perm. viscosity of working medium

25 mm²/s (cSt)

Note: When used with contaminated media we recommend installing a strainer in front of the valve (on request)

Perm. temperature of working medium

-10° to +90°C

Higher temperatures on request

Ambient temperature

-10° to +50°C

Mounting position

Optional, preferably coil vertically upwards

Power consumption

AC operation:

Pull in / hold in	
DN 2	15 VA / 12 VA
DN 3 - 5	45 VA / 35 VA

DC operation:

Pull in / hold in	
DN 2	8 W / 7 W
DN 3 - 5	18 W / 17 W

Protection class

IP 65 (with connector plug)

Permissible voltage tolerance

±10 % to VDE 0580

Rating

Continuously rated

Nominal size [mm]	Threaded socket connections DIN ISO 228	Operating pressure* [bar]		Kv value [m ³ /h]	Weight [kg]
		Control function Normally closed (Code 1)	Control function Normally open (Code 2)		
2.0	G 1/8	0 - 10	-	0.15	0.33
	G 1/4	0 - 10	0 - 6		
	G 3/8	0 - 10	-		
3.0	G 1/8	0 - 20	-	0.21	0.57
	G 1/4	0 - 20	0 - 16		
	G 3/8	0 - 20	-		
4.0	G 1/8	0 - 12	-	0.35	0.57
	G 1/4	0 - 12	0 - 8		
	G 3/8	0 - 12	-		
5.0	G 1/8	0 - 6	-	0.50	0.57
	G 1/4	0 - 6	-		
	G 3/8	0 - 6	-		

Wiring note:

Special wiring on request. When using electronic switches and additional wiring, carefully design out any potential residual currents upon installation.

Order data

Body configuration		Code
2/2-way		D
Connection		Code
G 1/8	Threaded sockets DIN ISO 228	G1
G 1/4	Threaded sockets DIN ISO 228	G2
G 3/8	Threaded sockets DIN ISO 228	G3
Valve body material		Code
Brass	MS	12
Stainless steel	1.4408	37
Seal material		Code
NBR (standard brass body code 12)		2
FPM (standard stainless steel body code 37)		4
PTFE		5
EPDM		14
Control function		Code
Normally closed		1
Normally open		2

Supply voltage	Code
110 V AC	110
230 V AC	230
24 V DC	24

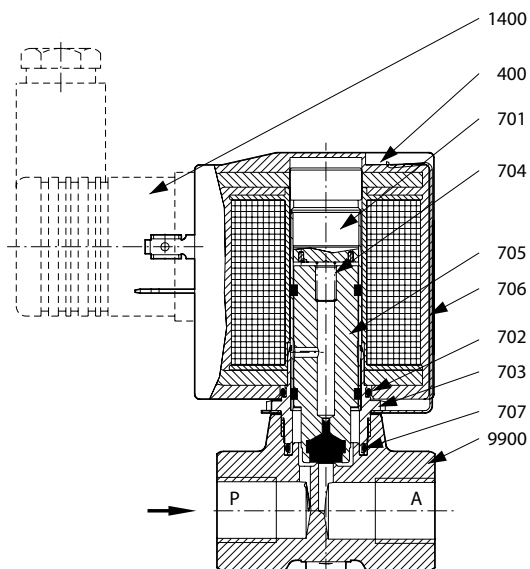
Mains frequency	Code
50 Hz	50
DC	DC

Optional versions	K-Number
Coil protection class EEx me II T3 ATEX marking Ex II 2 GD	6419
Other versions acc. to ATEX on request	

Available voltages / Frequency		
AC	110 V AC 230 V AC	50 Hz 50 Hz
DC	24 V DC	-
Other voltages on request		

Order example	8259	3	D	G1	12	4	1	230	50
Type	8259								
Nominal size		3							
Body configuration (code)			D						
Connection (code)				G1					
Valve body material (code)					12				
Seal material (code)						4			
Control function (code)							1		
Supply voltage (code)								230	
Mains frequency (code)									50
Optional version (K-No.)									

Spare parts

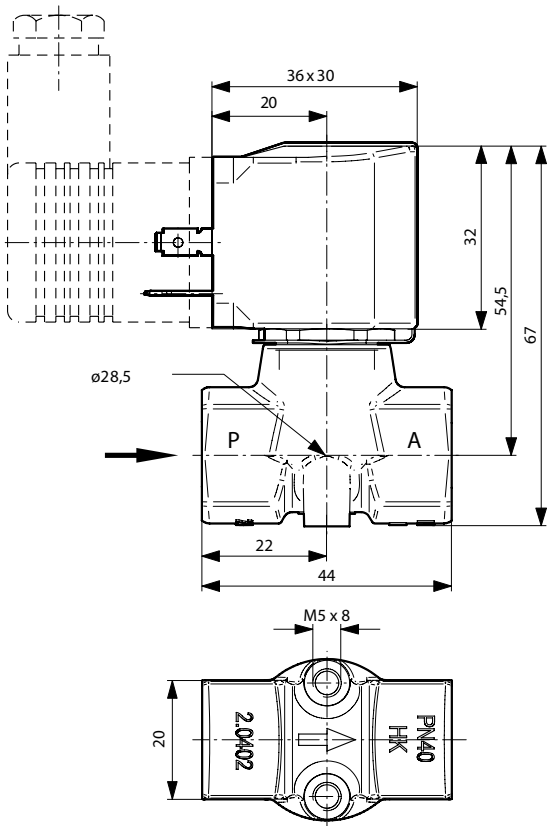


- 400 Solenoid
- 701 Bush
- *702 Diaphragm
- 703 O-ring
- *704 Compression spring
- *705 Armature
- 706 Spring clip
- *707 O-ring
- 1400 Connector plug (included)
- 9900 Valve body

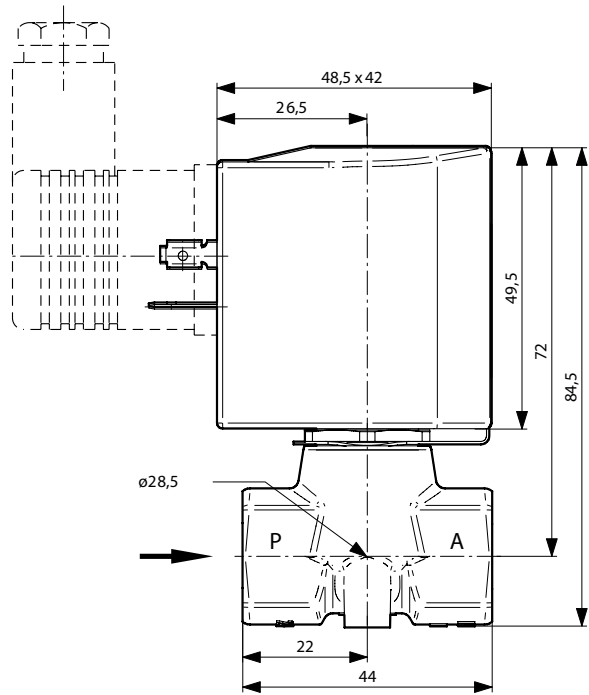
All parts marked with * are included in the wearing parts kit.
When ordering spare parts, please indicate complete valve order number.

Dimensions

Nominal size DN 2



Nominal size DN 3 - 5



Other metal solenoid valves



GEMÜ 8253
 Servo assisted solenoid valve
 with a positive lift diaphragm
 without pressure differential
 Brass or stainless steel
 DN 10 - 25 (0 - 16 bar)



GEMÜ 8257
 Servo assisted solenoid valve
 with a positive lift diaphragm
 without pressure differential
 Brass or stainless steel
 DN 8 - 12 (0 - 10 bar)



GEMÜ 8258
 Servo assisted solenoid valve
 with pressure differential
 Brass or stainless steel
 DN 8 - 15 (0.1 - 16 bar)

For other solenoid valves, accessories and other products, please see our Product Range catalogue and Price List.
 Contact GEMÜ.



GEMÜ® VALVES, MEASUREMENT
 AND CONTROL SYSTEMS