



With metal scraper rod seal option, ability to work in heavily soiled and oily environments. (K6: Bronze + PU), (Ø12... Ø100)

RESISTANT TO
CORROSION,
CHEMICALS, DUST
and HUMIDITY

PVS SERIES

Ø08- Ø25 (ISO 6432)

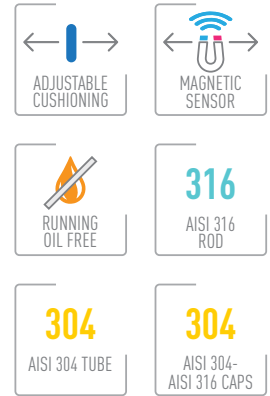
Ø32- Ø63 (Undetachable Type)

Ø80- Ø100 (Screw Type)

COMPLETELY STAINLESS, DOUBLE ACTING and MAGNETIC CYLINDER



- PVS Series completely stainless steel cylinders especially designed for use in harsh environments.
- Rod seal with scraper feature suitable for use in dirty and dusty environments. (Ø12...Ø100)
- Offers high resistance to corrosion and oxidation that may occur from contact with chemicals or in humid environments.
- Can be cleaned using wet or dry methods making it suitable for use in food, textile and pharmaceutical industries.



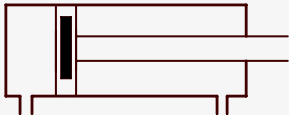
PVS SERIES

Ø80 - Ø100

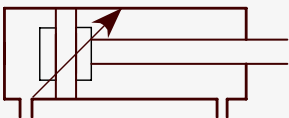
COMPLETE STAINLESS, DOUBLE ACTING, MAGNETIC and CUSHIONING CYLINDER



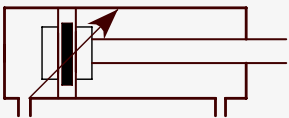
PVS
DOUBLE ACTING
CYLINDER



PVS-A
DOUBLE ACTING and
MAGNETIC CYLINDER



PVS-Y
DOUBLE ACTING and
CUSHIONING CYLINDER



PVS-YA
DOUBLE ACTING,
CUSHIONING and
MAGNETIC CYLINDER

- DETACHABLE TYPE DESIGN
- DETACHABLE BODY ELEMENTS FOR EASE OF MAINTENANCE AND REPAIR
- COMPLETELY STAINLESS STEEL BODY EQUIPMENT
- HIGH RESISTANCE AGAINST CORROSION
- SUITABLE FOR DUSTY AND DIRTY ENVIRONMENTS THANKS TO THE SCRAPER SEAL FEATURE
- PROVIDES HIGH PROTECTION AGAINST OXIDATION CAUSED BY CHEMICALS
- METAL SCRAPER OPTION (K6)

FORCE

Cylinder Ø mm	Rod Ø mm	Thrust and traction forces (6 Bar)	
		Thrust force (N)	Traction force (N)
80	25	3016	2721
100	25	4712	4418

NON-STANDARD VARIATIONS

- R0: Piston Rod AISI 420
- R5: Piston Rod CK45 (Hard Chrome Plated)
- M1: Extended Male Piston Rod Thread
- M2: Female Piston Rod Thread
- M3: Special Piston Rod Thread
- M4: Extended Piston Rod
- K1: Seals for 150°C (Viton)
- K3: Seals NBR
- K4: Piston Rod Seal Viton
- K6: For heavily soiled and dusty environments metal scraper (Bronze + PU)

EXAMPLE OF ORDER

PVS-YA 0100 - 0100 K1
 Product code Cylinder Ø Stroke Non-Standard variations

WORK CONDITIONS

Working Fluid:

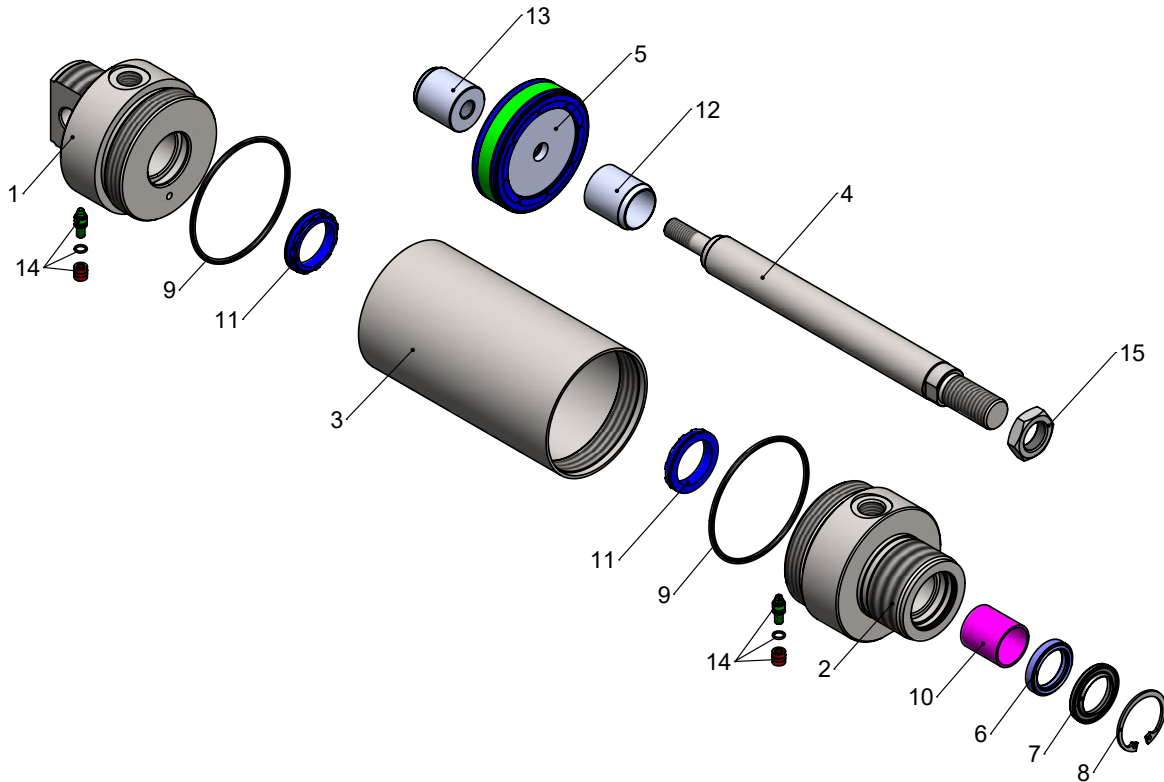
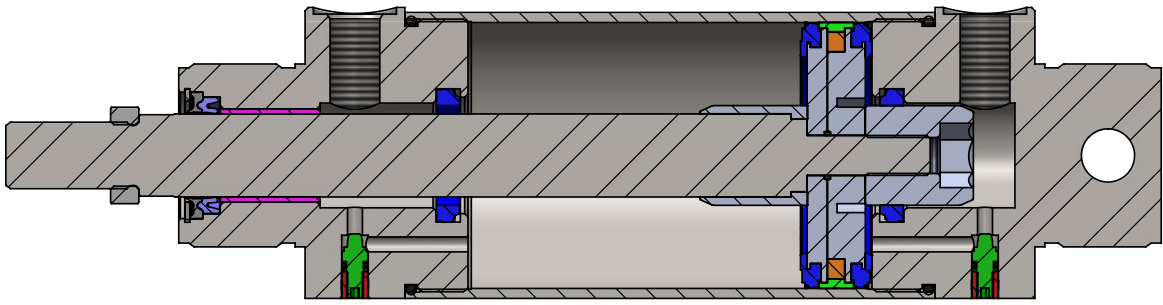
Filtered and lubricated or filtered and not lubricated air

Operating Temperature Range:

Polyurethane (PU) : (-20°C) - (+80°C)
 Viton (FKM) : (-30°C) - (+150°C)

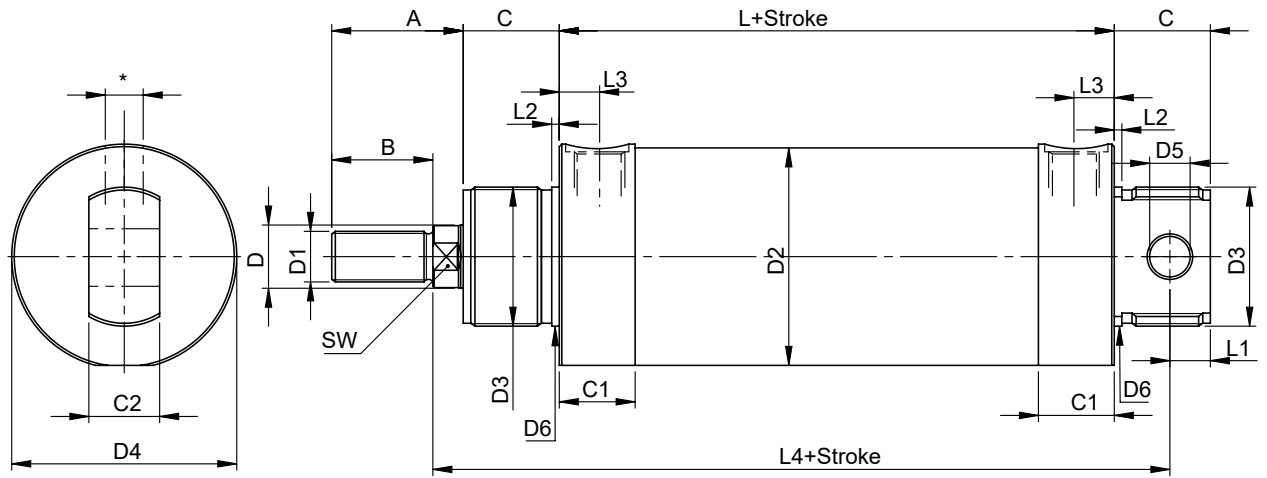
Max. Work Pressure:

10 Bar



No	Material name	Characteristic	Pc
1	Rear Head	AISI 304- AISI 316	1
2	Front Head	AISI 304- AISI 316	1
3	Tube	AISI 304	1
4	Piston Rod	AISI 316	1
5	Middle Piston	PU+Al+Pom+NBR+Magnet	1
6	Rod Seal	PU	1
7	Scraper	POM	1
8	Retaining Ring	A2-Stainless Steel	1
9	Head O-ring	NBR	2
10	Guiding Bush	CSB-40	1
11	Cushioning Seal	PU	2
12	Cushioning Tube	Aluminium	1
13	Cushioning Fem. Thread	Aluminium	1
14	Cushioning Screw	AISI 303+NBR+Brass	2
15	Nut	AISI 304-AISI 316	1

Note: Part 11, 12, 13, 14 is available in the products with PVS-Y and PVS-YA.



Cylinder Ø mm	A	B	C	C1	C2	D Ø	D1	D2 Ø	D3	D4 Ø	D5 Ø	D6 Ø	L	L1	L2	L3	L4	SW	*
80	52	40	38	30	28	25	M20x1,5	86	M55x2	89	16	55	119,5	16	3	15	191,5	22	G3/8"
100	52,5	40	38	35	28	25	M20x1,5	106	M55x2	109	20	55	133,5	20	3	17,5	202	22	G1/2"